

AN454_8V

Made in
USA



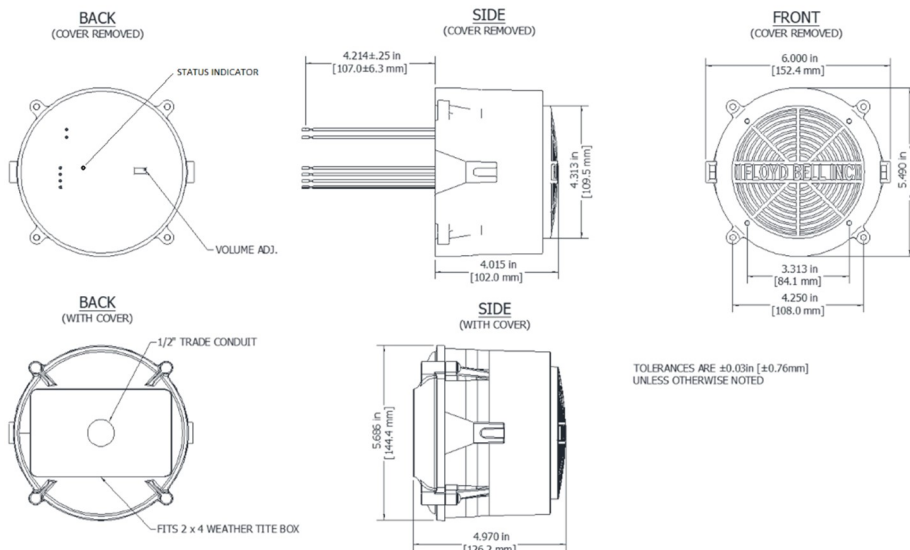
The AN454_8V is a powerful, rugged, industrial announcement system for playing pre-recorded voice and audio messages. The AN454_8V can play back up to 4min of (16bit X 44.1Khz) high output audio. The audio can be divided into eight separate message locations. Each message is user selectable via input logic to the system. The *sound level can be user adjusted via internal potentiometer*. The AN454_8V provides an excellent solution for any announcement need such as voice messages, sound affects, loud sirens or other tones. It is well suited for situations where high levels of ambient noise are present. The AN454_8V is the replacement for the previous AN450.

New Features:

AN454_8V has the same environmental ruggedness as the previous models. Key features include up to 8 message slots. The AN454_8V also includes firmware enhancements to conserve memory usage when looping messages and pausing between messages. An anti-pop feature is part of the new hardware and software design. The new version includes a status light which may be useful in troubleshooting. Inputs have been enhanced to include optical isolation for greater load dump protection and bi-polar operation. (see application schematic below)

SPECIFICATIONS

Operating Mode:	User selectable voice or sound playback.
Operating Voltage Range:	9Vdc to 30Vdc, <i>note: power supply must be regulated and capable of supplying peak current rating of the device.</i>
Nominal Operating Voltage:	24 Vdc
Typical Frequency Response:	300Hz to 10Khz.
Typical Input Current:	2.5A peak. <i>dependent on audio data and power supply</i>
Typical Sound Pressure:	110±5 dB(A), 24 VDC, at 24 inches (61 cm), at 25°C. <i>dependent on audio data and power supply</i>
Volume Control:	0-to-100% control via 20 Turn potentiometer located on back of unit.
Termination Wires:	18AWG 4" Wires: RED=Power, Black=GND, White=Active-High OR Active-Low, Green=I/O A, Blue=I/O B, Violet=I/O C
Status Light:	Solid Green = all systems good, Flashing = internal malfunction
Operating Temperature:	-20°C to +65°C.
Storage Temperature:	-40°C to +85°C.
Surge Voltage:	20% over maximum rated voltage for less than 5 minutes.
Reverse Voltage Protection:	To the maximum operating voltage.
Input Select Lines:	Input select lines operate at same voltage level as input power line (+VDC)
Environmental:	AN454_8V is designed for wet and damp environments
Warranty:	For a period of one year from the date of manufacture under normal operating conditions.

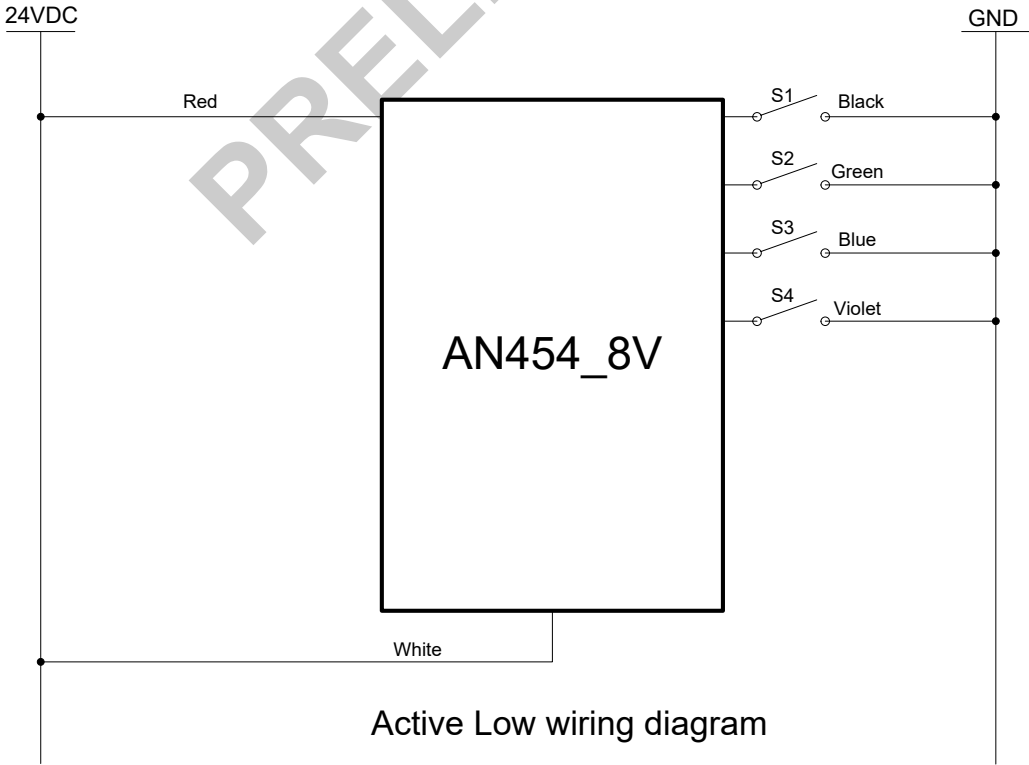
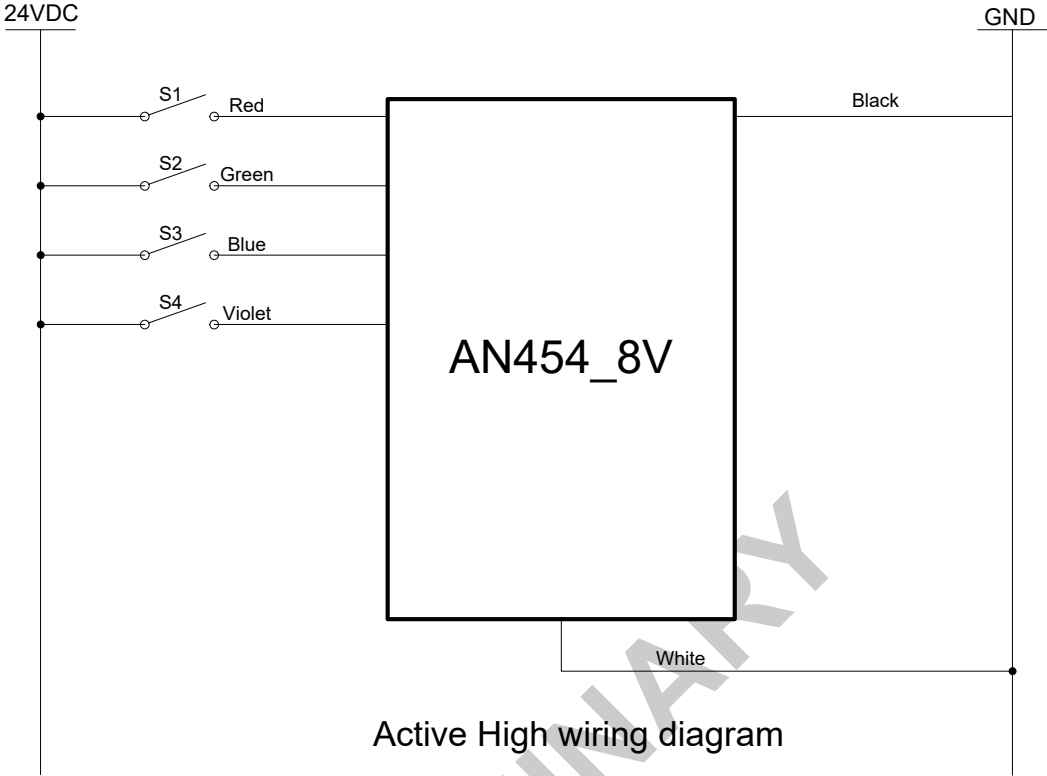


 **Floyd Bell Inc**
An ISO 9001:2000 Registered Company

720 Dearborn Park Lane • Columbus, OH 43085
Tel: 614/294-4000 • Fax: 614/291-0823
Website: www.floydbell.com

Revision: 10.20

AN454_8V



AN454_8V



S4	S3	S2	S1	Output	Repeat
Off	Off	Off	Off	No output	Yes/No
Off	Off	Off	On	Message1	Yes/No
Off	Off	On	On	Message2	Yes/No
Off	On	Off	On	Message3	Yes/No
Off	On	On	On	Message4	Yes/No
On	Off	Off	On	Message5	Yes/No
On	Off	On	On	Message6	Yes/No
On	On	Off	On	Message7	Yes/No
On	On	On	On	Message8	Yes/No