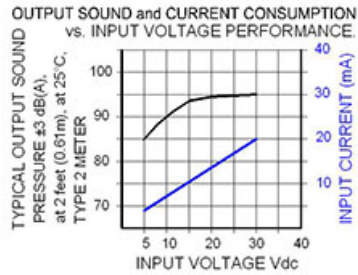


[AudioLarm II Series](#)  
LB-07-530-Q(S)



## Dimensions



More Information



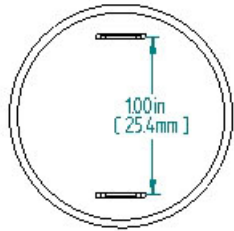
RoHS Compliant

## Specifications

|                                   |                                                                                                                                                                                                                  |
|-----------------------------------|------------------------------------------------------------------------------------------------------------------------------------------------------------------------------------------------------------------|
| <b>Mounting</b>                   | Panel Mount                                                                                                                                                                                                      |
| <b>Operating Mode</b>             | Low Output Slow Beep Tone                                                                                                                                                                                        |
| <b>Operating Voltage</b>          | 5-30 Vdc                                                                                                                                                                                                         |
| <b>Operating Frequency</b>        | 2900±250 Hz                                                                                                                                                                                                      |
| <b>Typical Operating Current</b>  | 2 mA at 5 Vdc<br>20 mA at 30 Vdc                                                                                                                                                                                 |
| <b>Typical Sound Pressure</b>     | 80 ±5 dB(A) at 5 Vdc at 24 inches (61 cm), at 25°C<br>85 ±5 dB(A) at 30 Vdc at 24 inches (61 cm), at 25°C                                                                                                        |
| <b>Termination</b>                | Quick Connect Blades                                                                                                                                                                                             |
| <b>Termination Strength</b>       | Pull test with a maximum of 22 pounds (10 kg) load                                                                                                                                                               |
| <b>Operating Temperature</b>      | -20_C to +65_C                                                                                                                                                                                                   |
| <b>Storage Temperature</b>        | -40_C to +85_C                                                                                                                                                                                                   |
| <b>Surge Voltage</b>              | 20% over maximum rated voltage for less than 5 minutes                                                                                                                                                           |
| <b>Reverse Voltage Protection</b> | To the maximum operating voltage                                                                                                                                                                                 |
| <b>Construction Materials</b>     | Case- Plastic _NORYL_ N-190, Flame Retardant UL 94-VO, Black<br>Internal Circuit- Audio-oscillator and piezoelectric driver<br>Potting- 2 parts epoxy resin or silicone, black<br>Diaphragm- Stainless Steel 304 |
| <b>Gasket</b>                     | Gasket (sold separately) 0.062" thick, 60 Durometer Neoprene<br>ASTM B117 Certified - Withstands exposure to salt spray for 300 hours<br>IP 68 Certified - Withstands water submergence and dust exposure        |
| <b>Construction Materials</b>     | Humidity- 95% relative humidity at +40_C continuously for 100 hours.<br>Vibration- Withstands vibration between 0 and 55 Hz. on all axes.                                                                        |
| <b>Life Expectancy</b>            | 10 years under normal operating conditions.                                                                                                                                                                      |
| <b>Warranty</b>                   | For a period of two years from the date of manufacture under normal operating conditions.                                                                                                                        |
| <b>Notes</b>                      | This product is not intended as a life safety device.                                                                                                                                                            |

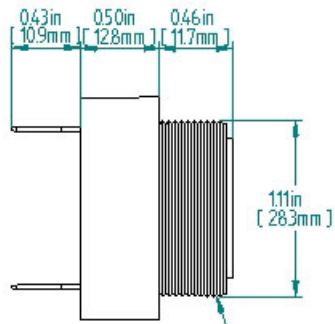
Terms and Conditions of Sale [Link here](#)

REAR



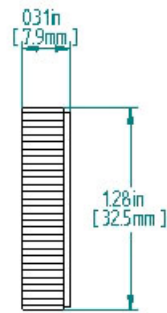
TOLERANCES ARE:  $\pm 0.03$  in.  
[ $\pm 0.76$  mm]

SIDE

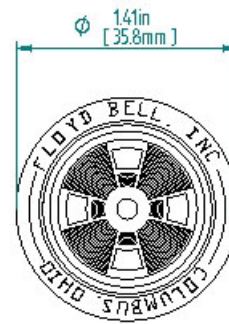


1.125-24 UNF THREADS  
FOR REFERENCE ONLY

RING



FRONT



PANEL MOUNTING



FITS PANELS UP TO  
0.25 in (6.35 mm) THICK

"Q" TERMINALS

