

[Turbo Light Series](#)

TLDH-87RG-930-Q



More Information

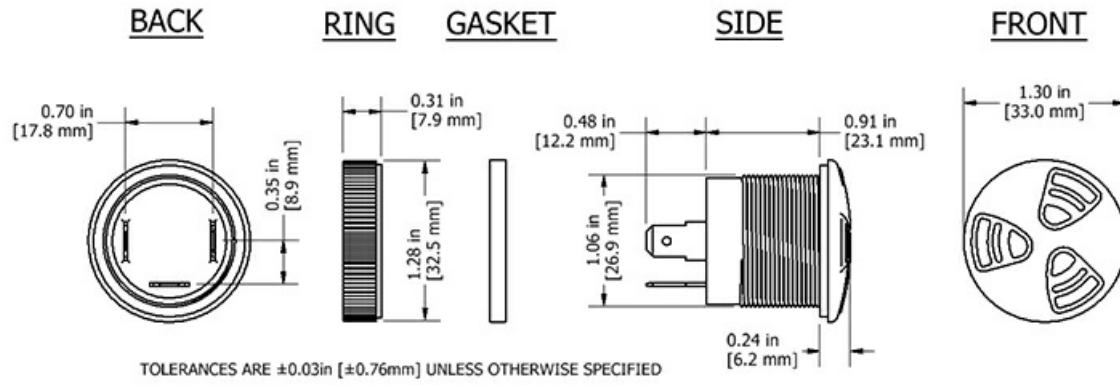
 [UL Recognized](#)

 **RoHS** RoHS Compliant

Specifications

Mounting	Panel Mount
Color	Multiple Color
Operating Mode	
Operating Voltage	9-30 Vdc
Typical Operating Current	145 mA at 9 Vdc 50 mA at 30 Vdc
Typical Brightness	2000 cd/m ² , at 9 Vdc at 25°C 9000 cd/m ² , at 30 Vdc at 25°C
Termination	Quick Connect Blades
Termination Strength	Pull test with a maximum of 22 pounds (10 kg) load
Operating Temperature	-40_C to +85_C
Storage Temperature	-40_C to +100_C
Surge Voltage	20% over maximum rated voltage for less than 5 minutes
Reverse Voltage Protection	To the maximum operating voltage
Construction Materials	Lens/Case- White Translucent Polycarbonate 94 VO Potting- 2 parts epoxy resin or silicone, black
Gasket	Gasket (Included) 0.125" thick, 60 Durometer Neoprene ASTM B117 Certified - Withstands exposure to salt spray for 300 hours IP 68 Certified - Withstands water submergence and dust exposure Humidity- 95% relative humidity at +40_C continuously for 100 hours. Vibration- Withstands vibration between 0 and 55 Hz. on all axes.
Construction Materials	
Life Expectancy	17 years under normal operating conditions.
Warranty	For a period of two years from the date of manufacture under normal operating conditions.
Notes	This product is not intended as a life safety device.
Terms and Conditions of Sale	Link here

Dimensions



PANEL MOUNTING



FITS PANELS UP TO 0.50 in [12.7 mm] THICK

"Q" TERMINALS

