

[More Information](#)



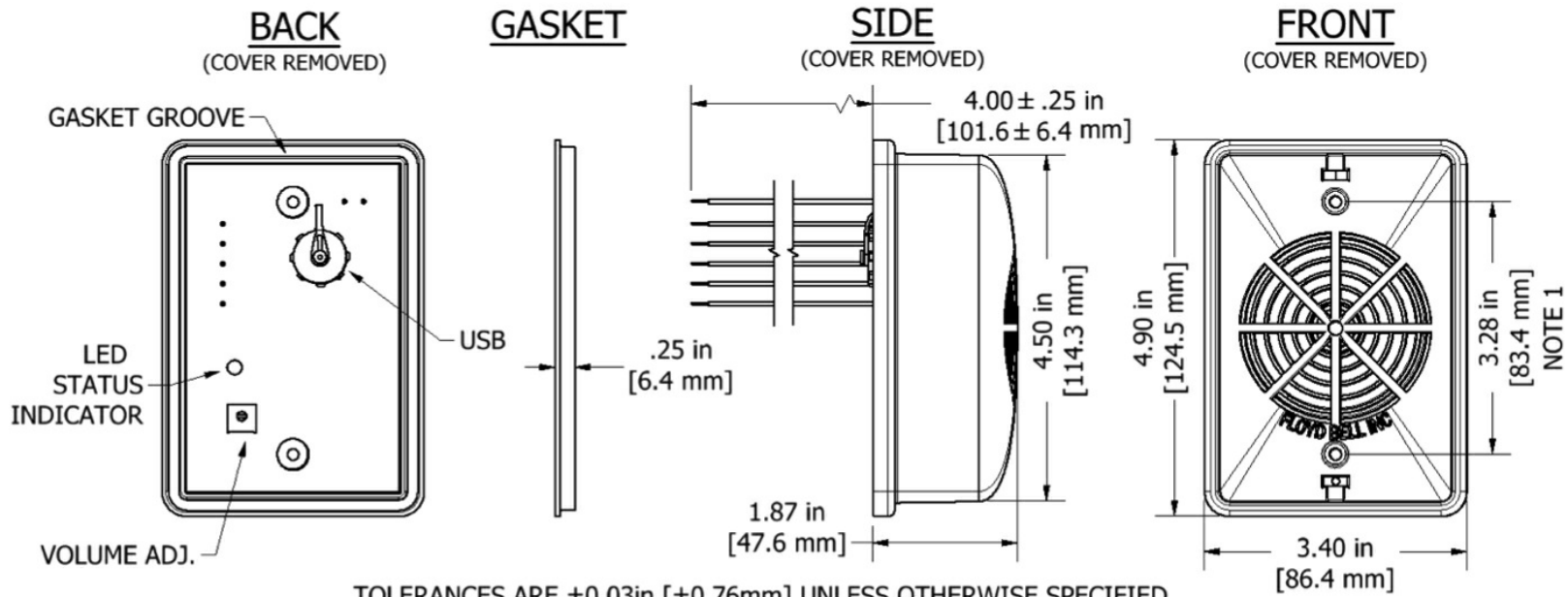
RoHS Compliant

Dimensions

Specifications

Mounting	Box Mount
Operating Mode	Voice Message: 16 Custom Recorded Messages
Operating Voltage	9-30 Vdc
Operating Frequency	300Hz to 10Khz
Typical Operating Current	0 mA at 9 Vdc 250 mA at 30 Vdc
Typical Sound Pressure	0 ±5 dB(A) at 9 Vdc at 24 inches (61 cm), at 25°C 105 ±5 dB(A) at 30 Vdc at 24 inches (61 cm), at 25°C
Termination	Wires
Operating Temperature	-20_C to +65_C
Storage Temperature	-40_C to +85_C
Surge Voltage	20% over maximum rated voltage for less than 5 minutes
Reverse Voltage Protection	To the maximum operating voltage
Construction Materials	Plastic _NORYL_N-190, Flame Retardant UL 94-VO, Black
Construction Materials	AN200 is designed for wet and damp environments and meets an IP65 rating.
Life Expectancy	10 years under normal operating conditions.

Warranty For a period of one year from the date of manufacture under normal operating conditions.
Notes This product is not intended as a life safety device.
Terms and Conditions of Sale [Link here](#)



TOLERANCES ARE $\pm 0.03\text{ in}$ [$\pm 0.76\text{ mm}$] UNLESS OTHERWISE SPECIFIED
NOTE 1: STANDARD ELECTRICAL BOX SPACING