

[Announcer Series Series](#)  
AN150S





More Information



### Specifications

<b>Mounting</b>	Panel Mount
<b>Operating Mode</b>	Voice Message: 3 Custom Recorded Messages
<b>Operating Voltage</b>	9-30 Vdc
<b>Typical Operating Current</b>	0 mA at 9 Vdc 250 mA at 30 Vdc
<b>Typical Sound Pressure</b>	0 ±5 dB(A) at 9 Vdc at 24 inches (61 cm), at 25°C 90 ±5 dB(A) at 30 Vdc at 24 inches (61 cm), at 25°C
<b>Termination</b>	Quick Connect Blades with Screws
<b>Termination Strength</b>	Pull test with a maximum of 22 pounds (10 kg) load
<b>Operating Temperature</b>	-20_C to +65_C
<b>Storage Temperature</b>	-40_C to +85_C
<b>Surge Voltage</b>	20% over maximum rated voltage for less than 5 minutes

**Reverse Voltage Protection** To the maximum operating voltage

**Construction Materials** Plastic \_NORYL\_ N-190, Flame Retardant UL 94-VO, Black  
Potting- 2 parts epoxy resin or silicone, black

**Gasket** Gasket (sold separately) 0.062" thick, 60 Durometer Neoprene  
ASTM B117 Certified - Withstands exposure to salt spray for 300 hours  
Humidity- 95% relative humidity at +40\_C continuously for 100 hours.  
Vibration- Withstands vibration between 0 and 55 Hz. on all axes.

**Construction Materials**

**Life Expectancy** 10 years under normal operating conditions.

**Warranty** For a period of two years from the date of manufacture under normal operating conditions.

**Notes** This product is not intended as a life safety device.

**Terms and Conditions of Sale** [Link here](#)

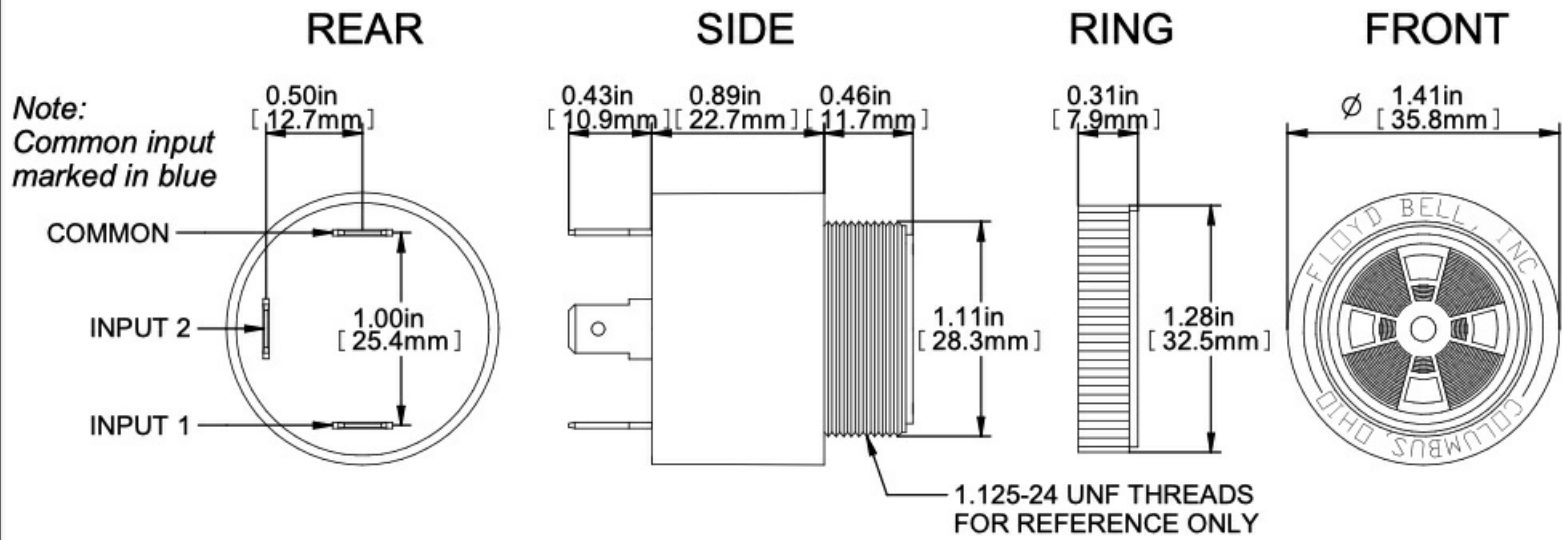
S1	S2	Output
On	Off	Msg1
Off	On	Msg2
On	On	Msg3

**DIMENSIONS**

**PANEL MOUNTING**



FITS PANELS UP-TO  
0.25 (6.3) THICK



TOLERANCES ARE ±0.03in [±0.76mm] UNLESS OTHERWISE SPECIFIED

PANEL MOUNTING



FITS PANELS UP TO  
0.25in (6.35mm) THICK

"S" TERMINALS

