

[More Information](#)



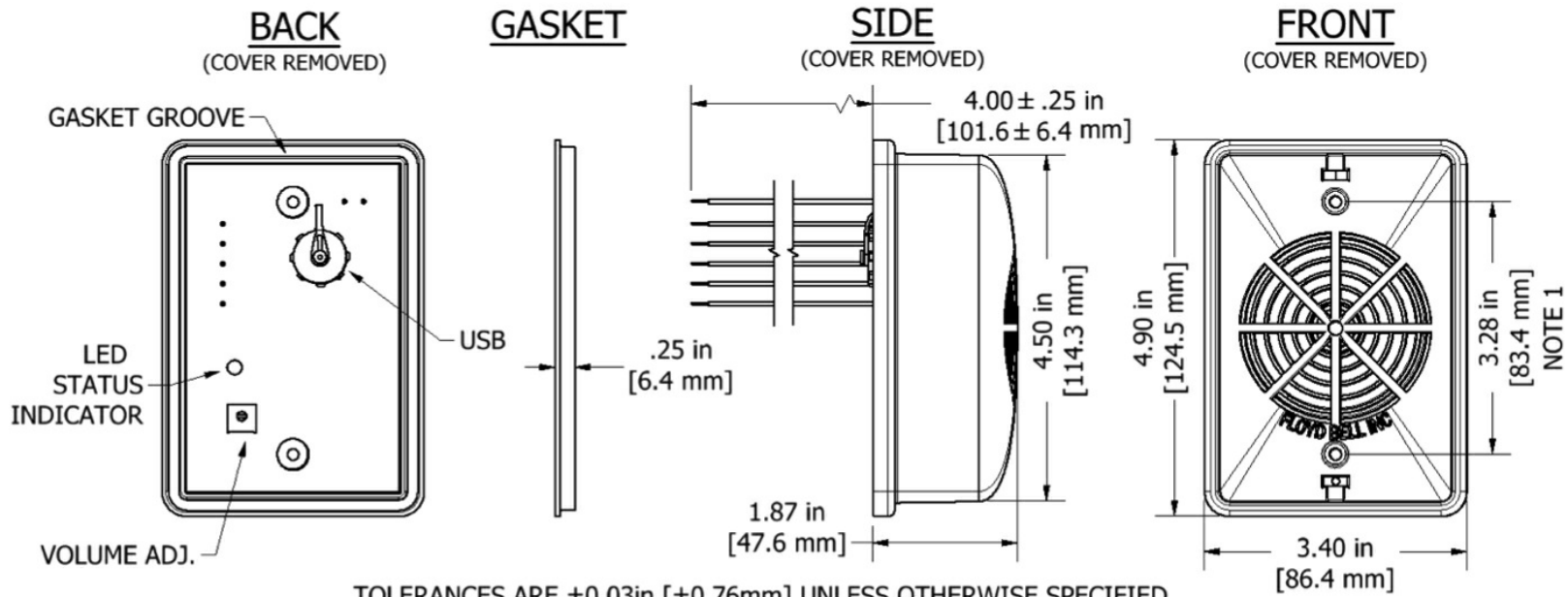
RoHS Compliant

Dimensions

Specifications

| | |
|-----------------------------------|---|
| Mounting | Box Mount |
| Operating Mode | Voice Message: 16 Custom Recorded Messages |
| Operating Voltage | 9-30 Vdc |
| Operating Frequency | 300Hz to 10Khz |
| Typical Operating Current | 0 mA at 9 Vdc 250 mA at 30 Vdc |
| Typical Sound Pressure | 0 ±5 dB(A) at 9 Vdc at 24 inches (61 cm), at 25°C 105 ±5 dB(A) at 30 Vdc at 24 inches (61 cm), at 25°C |
| Termination | Wires |
| Operating Temperature | -20_C to +65_C |
| Storage Temperature | -40_C to +85_C |
| Surge Voltage | 20% over maximum rated voltage for less than 5 minutes |
| Reverse Voltage Protection | To the maximum operating voltage |
| Construction Materials | Plastic_NORYL_N-190, Flame Retardant UL 94-VO, Black |
| Construction Materials | AN200 is designed for wet and damp environments and meets an IP65 rating. |
| Life Expectancy | 10 years under normal operating conditions. |

Warranty For a period of one year from the date of manufacture under normal operating conditions.
Notes This product is not intended as a life safety device.
Terms and Conditions of Sale [Link here](#)



TOLERANCES ARE $\pm 0.03\text{ in}$ [$\pm 0.76\text{ mm}$] UNLESS OTHERWISE SPECIFIED
NOTE 1: STANDARD ELECTRICAL BOX SPACING