

[Turbo Light Series](#)

TLDH-87RG-930-Q



More Information

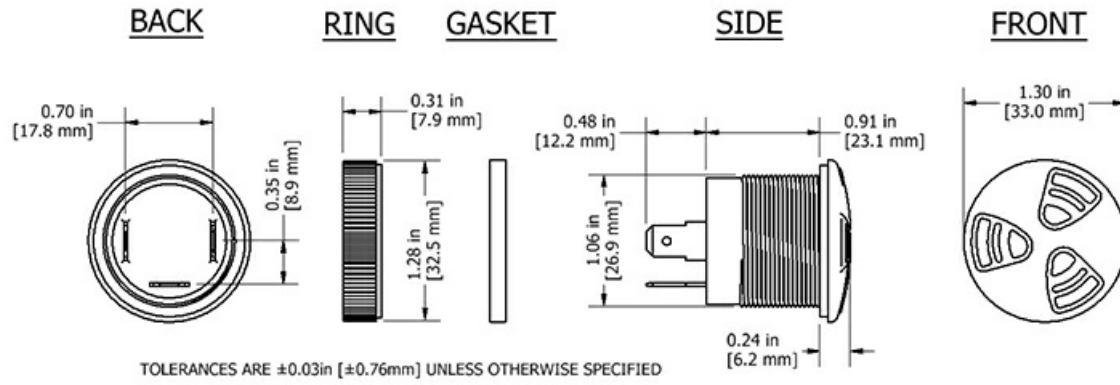
 [UL Recognized](#)

 **RoHS** RoHS Compliant

**Specifications**

<b>Mounting</b>	Panel Mount
<b>Color</b>	Multiple Color
<b>Operating Mode</b>	
<b>Operating Voltage</b>	9-30 Vdc
<b>Typical Operating Current</b>	145 mA at 9 Vdc 50 mA at 30 Vdc
<b>Typical Brightness</b>	2000 cd/m <sup>2</sup> , at 9 Vdc at 25°C 9000 cd/m <sup>2</sup> , at 30 Vdc at 25°C
<b>Termination</b>	Quick Connect Blades
<b>Termination Strength</b>	Pull test with a maximum of 22 pounds (10 kg) load
<b>Operating Temperature</b>	-40_C to +85_C
<b>Storage Temperature</b>	-40_C to +100_C
<b>Surge Voltage</b>	20% over maximum rated voltage for less than 5 minutes
<b>Reverse Voltage Protection</b>	To the maximum operating voltage
<b>Construction Materials</b>	Lens/Case- White Translucent Polycarbonate 94 VO Potting- 2 parts epoxy resin or silicone, black
<b>Gasket</b>	Gasket (Included) 0.125" thick, 60 Durometer Neoprene ASTM B117 Certified - Withstands exposure to salt spray for 300 hours IP 68 Certified - Withstands water submergence and dust exposure Humidity- 95% relative humidity at +40_C continuously for 100 hours. Vibration- Withstands vibration between 0 and 55 Hz. on all axes.
<b>Construction Materials</b>	
<b>Life Expectancy</b>	17 years under normal operating conditions.
<b>Warranty</b>	For a period of two years from the date of manufacture under normal operating conditions.
<b>Notes</b>	This product is not intended as a life safety device.
<b>Terms and Conditions of Sale</b>	<a href="#">Link here</a>

## Dimensions



### PANEL MOUNTING

