

[Announcer Series Series](#)

AN100Q2



More Information



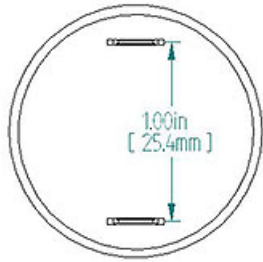
RoHS Compliant

Specifications

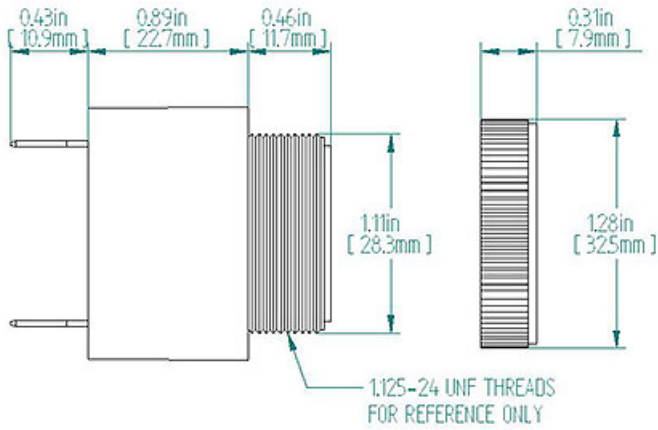
Mounting	Panel Mount
Operating Mode	Voice Message: Caution
Operating Voltage	9-15 Vdc
Typical Operating Current	0 mA at 9 Vdc
	250 mA at 15 Vdc
Typical Sound Pressure	0 ±5 dB(A) at 9 Vdc at 24 inches (61 cm), at 25°C
	90 ±5 dB(A) at 15 Vdc at 24 inches (61 cm), at 25°C
Termination	Quick Connect Blades
Termination Strength	Pull test with a maximum of 22 pounds (10 kg) load
Operating Temperature	-20_C to +65_C
Storage Temperature	-40_C to +85_C
Surge Voltage	20% over maximum rated voltage for less than 5 minutes
Reverse Voltage Protection	To the maximum operating voltage
Construction Materials	Potting- 2 parts epoxy resin or silicone, black
Gasket	Gasket (sold separately) 0.062" thick, 60 Durometer Neoprene
Construction Materials	ASTM B117 Certified - Withstands exposure to salt spray for 300 hours
	Humidity- 95% relative humidity at +40_C continuously for 100 hours.
	Vibration- Withstands vibration between 0 and 55 Hz. on all axes.
Life Expectancy	10 years under normal operating conditions.
Warranty	For a period of two years from the date of manufacture under normal operating conditions.
Notes	This product is not intended as a life safety device.
Terms and Conditions of Sale	Link here

Dimensions

REAR

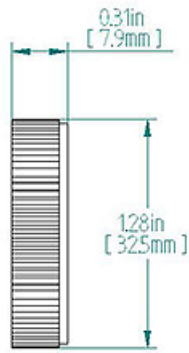


SIDE

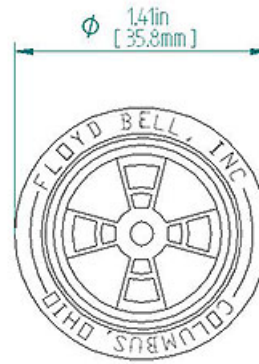


TOLERANCES ARE ± 0.03 in (± 0.76 mm) UNLESS OTHERWISE SPECIFIED

RING



FRONT



PANEL MOUNTING



FITS PANELS UP TO 0.25in [6.35mm] THICK

"Q" TERMINALS

